

AMERICAN STANDARD ONE-YEAR LIMITED WARRANTY

If inspection of this American Standard plumbing product, within one year after its initial installation, confirms that it is defective in materials or workmanship, American Standard will repair or, at its option, exchange the product for a similar model.

This limited warranty **does not apply** to local building code compliance; since local building codes vary considerably, the purchaser of this product should check with a local building or plumbing contractor to insure local code compliance before installation.

This warranty **shall be void** if the product has been moved from its initial place of installation; if it has been subjected to faulty maintenance, abuse, misuse, accident or other damage; if it was not installed in accordance with American Standard's instructions; or if it has been modified in a manner inconsistent with the product as shipped by American Standard.

American Standard's option to repair or exchange the product under this warranty does not cover any labor or other costs of removal or installation, **nor shall American Standard be responsible for any other incidental or consequential damages attributable to a product defect or to the repair or exchange of a defective product, all of which are expressly excluded from this warranty.** (Some states or provinces do not allow the exclusion or limitation of implied warranties, so this exclusion may not apply to you.)

This warranty gives you specific legal rights. You may have other statutory rights that vary from state to state or from province to province, in which case this warranty does not affect such statutory rights.

For service under this warranty, it is suggested that a claim be made through the contractor or dealer from or through whom the product was purchased, or that a service request (including a description of the product model and of the defect) be sent to the following address:

In the United States:

AMERICAN STANDARD, INC.
P.O. Box 6820
Piscataway, New Jersey 08855
Attn: Director of Consumer Affairs

For residents of the United States, warranty information may also be obtained by calling the following toll free number: (800) 223-0068

In Canada:

AMERICAN STANDARD, INC.
1401 Dupont Street
Toronto, Ontario Canada M6H 2B1
Toll Free: (800) 387-0369 Toronto Area: (416) 536-5609

In Mexico:

IDEAL STANDARD, S.A. de C.V.
Customer Service Manager
Planta Santa Clara, Via Morelos #330
Santa Clara Coatitla
Ecatepec de Morelos 55540,
Estado de Mexico, Mexico

Princeton™ Bath Installation Instructions

2390.202 2391.202
2392.202 2393.202

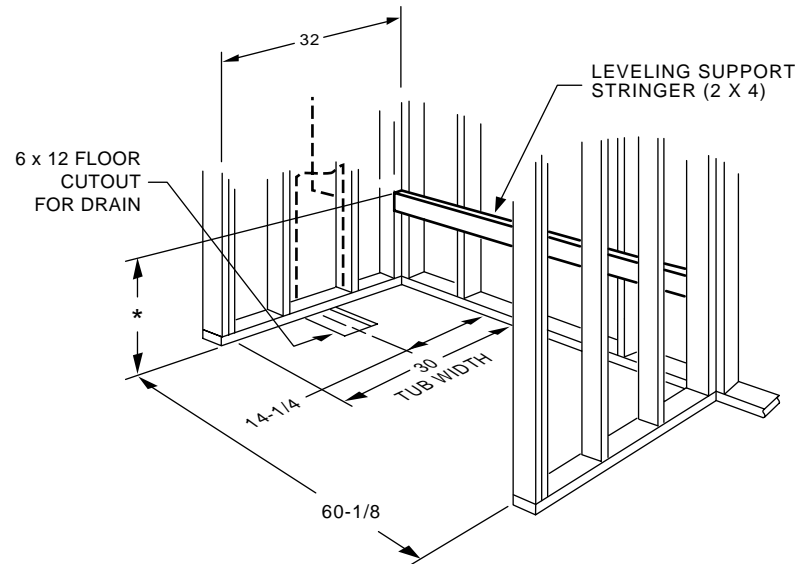
Observe Local Plumbing and Building Codes

Introduction: Thank you for selecting American-Standard...products which have been the benchmarks of fine quality for over 100 years. To help insure that the installation process will proceed smoothly, please read these instructions carefully before you begin. Also carefully unpack and examine your new plumbing fixture.

1 FRAMING INSTRUCTIONS

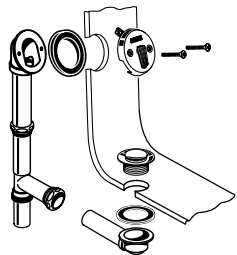
Note recess is 60-1/8 x 32. Cut a 6 x 12 hole in sub floor for drain, centered 14-1/4 as shown for below floor rough. Locate studs as required, then ensure rough opening dimensions are proper and supports are plumb and square.

*** Install stringer as shown (13-5/8 for through the floor drain or 16-3/8 for above the floor drain.)**



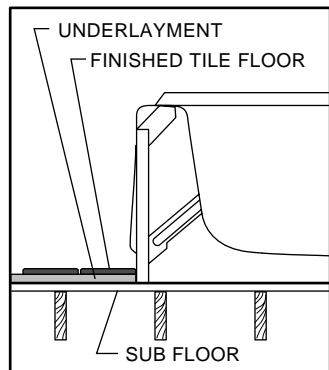
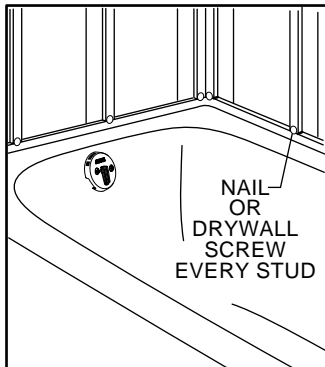
2**DRAIN**

Install the overflow and drain assembly onto the tub per manufacturer's instructions.

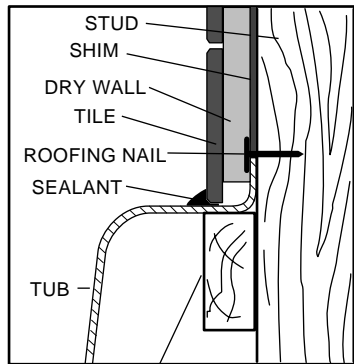
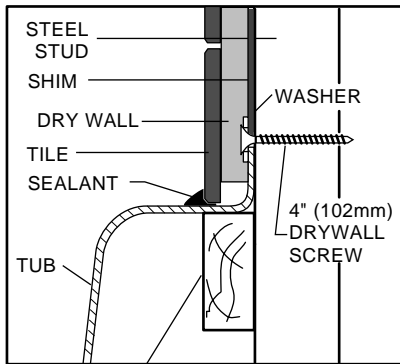
**3**

Position bathtub within the recess, check level, front to back, side to side. Also check drain clearance hole in sub floor. To secure the tub to wood studs, use roofing nails immediately above the flange of the tub.

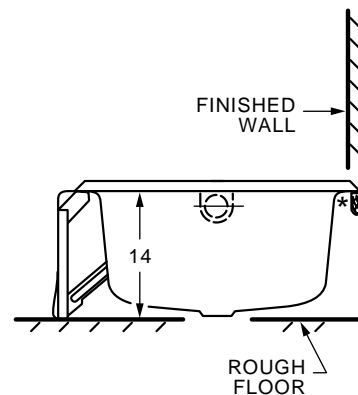
To secure the tub to steel studs, use drywall screws and flat washers. (See Step 4)
Caution: Take Extra Care When Driving Nails or Screws To Avoid Damaging The Tub. The tile or similar finished floor will be butted against the bottom of the tub apron also holding the tub in place.

**4**

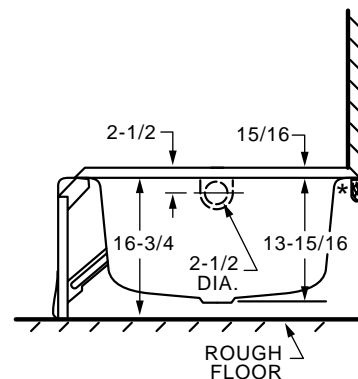
Below is shown typical cross sections of the tub rim showing typical wall constructions.

WOOD STUDS**STEEL STUDS**

2 x 4 WOOD STRINGER
FULL LENGTH

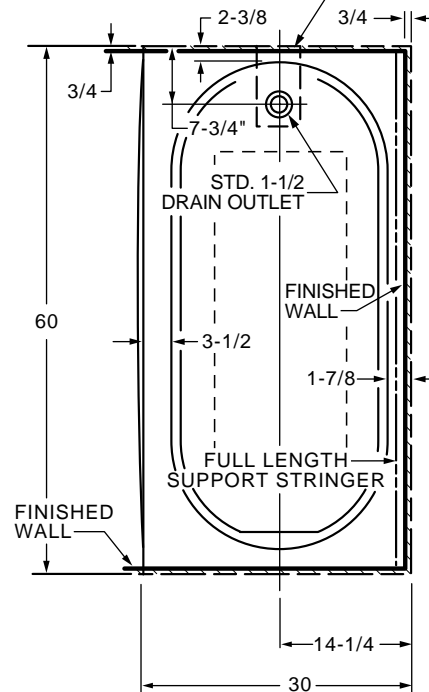


BELOW FLOOR ROUGH
2390.202 2391.202



ABOVE FLOOR ROUGH
2392.202 2393.202

6" X 12" HOLE IN SUB FLOOR
FOR BELOW FLOOR ROUGH



*** PLUMBER NOTE:** PROVIDE FULL LENGTH SUPPORT STRINGER AT THIS POINT

**LEFT HAND TUB ILLUSTRATED
RIGHT HAND TUB IS REVERSED**